

# majestic

Timpani MD. Symphonic



# CONTENTS

GENERAL INFORMATION AND TIPS

MOUNTING A NEW HEAD : SEE **A**

TUNING THE HEAD : SEE **B**

THE PEDAL GOES DOWN AUTOMATICALLY WHEN IN A CERTAIN POSITION : SEE **C**

THE PEDAL DOES NOT REMAIN IN THE DESIRED POSITION AND RAISES AUTOMATICALLY : SEE **D**

ADJUSTING THE TUNING GAUGE : SEE **E**

THE HEAD SQUEAKS : SEE **F**

CALFSKIN HEADS : SEE **G**

---

## MAJESTIC TIMPANI

### GENERAL INSTRUCTIONS

- When installing the timpani, always ensure that the front castor wheels are pointing forward before applying the brakes; this way they will have the same height and angle of inclination.
- After installing the timpani, move the pedal up and down a few times and check whether the head tension is correct. (See **B**).
- When the timpani are not used, the pedals must always be released (front pointing upward).
- Always put a cover over the timpani when they are not being used.
- In light of the timbre and action of a timpani, we recommend that you renew the head once a year (for correct size, see table **B**).
- **WARNING:**

Never adjust the timpani before you are 100% certain that the head is tensioned correctly. The factory tensioning of the mechanism is based on the correct head tension.

# A

## MOUNTING A NEW HEAD

First, a piece of wood or something similar (approx. 130 mm long) should be put under the front of the pedal in order to block it and prevent it from being pressed down. Next, the tension screws must be loosened with the hexagonal spanner supplied. Then remove the counter hoop with the tension screws in it in such a way that the red guide rings remain attached to the tension screw.

Subsequently, put a new head in the counter hoop (for correct size, see table B) and reinstall all elements. Ensure that the head is centred correctly; the tension screws must be centred in the strut holes in such a way that the red guide rings can be pressed down through the hole approximately 1 cm.

Bring the head to approximately the right tension. Then remove the wood from under the pedal and depress the pedal completely. In light of its stretching, the timpani head must be kept under tension for at least 48 hours.

Complete tensioning after 48 hours in accordance with B.

# B

## TUNING THE HEAD

First of all, the head tension must be precisely adjusted. To this end, fully release the pedal (in the lowest position, front pointing upward).

Then turn the tension screws in such a way that the pitch is a fraction below the lowest note indicated in the scale (see table). This can best be checked with an electronic tuning device. Next, the head must be tuned according to the meantone system (strike at approx. 9 cm. from the counter hoop at the height of the tension screws).

**Table B**      **Lettering of various scales**

	*	20"	*	23"	*	26"	*	29"	*	32"	*
	*	--	*	--	*	--	*	--	*	--	*
High	*	C	*	A	*	F	*	D	*	B	*
	*	B	*	G	*	E	*	C	*	A	*
	*	A	*	F	*	D	*	B	*	G	*
	*	G	*	E	*	C	*	A	*	F	*
	*	F	*	D	*	B	*	G	*	E	*
Low	*	E	*	C	*	A	*	F	*	D	*
Head size		22"	*	25"	*	28"	*	31"	*	34"	*
Remo head size		2200	*	2500	*	2800	*	3100	*	3400	*

# C

## THE PEDAL GOES DOWN AUTOMATICALLY WHEN IN A CERTAIN POSITION

First tension the head precisely in accordance with **B**. This will in most cases fully balance the mechanism. Should this, however, not be the case, give the spring adjusting button at the front of the bottom plate several turns to the left in the direction of the " - ".

If the pedal remains a problem or tends to rise, carefully tilt the timpani forward onto a blanket or padding (with the front castors blocked and pointing forward). Never lift or move the timpani using the counter hoop.

Slightly tension nut and bolt (1) at the bottom of the timpani in accordance with drawing no. **186 A** using two ring spanners no. 13 (not supplied). Use one hand to test whether the pedal now offers sufficient resistance. Adjust the bolt to ensure that the pedal can be moved evenly and quite lightly (\*) but still remains in the desired position.

\*) Note: with your foot, the pedal feels much lighter than with your hand.

## THE PEDAL DOES NOT REMAIN IN THE DESIRED POSITION AND RAISES AUTOMATICALLY

# D

First tension the head precisely in accordance with **B** - this will in most cases fully balance the mechanism. Should this, however, not be the case, give the spring adjusting button at the front of the bottom plate several turns to the right in the direction of the " + ".

If the pedal remains a problem or tends to rise, carefully tilt the timpani forward onto a blanket or padding (with the front castors blocked and pointing forward). Never lift or move the timpani using the counter hoop.

Slightly tension nut and bolt (1) at the bottom of the timpani in accordance with drawing no. **186 A** using two ring spanners no. 13 (not supplied). Use one hand to test whether the pedal now offers sufficient resistance. Adjust the bolt to ensure that the pedal can be moved evenly and quite lightly (\*) but still remains in the desired position.

If a fully depressed pedal does not keep the highest note indicated in the scale (also see table **B**), slightly tighten spring nut (2) in accordance with drawing no. **186 A** (no more than a few turns).

\*) Note: With your foot, the pedal feels much lighter than with your hand.

# E

## ADJUSTING THE TUNING GAUGE

First tension the head precisely in accordance with **B** - this will in most cases fully balance the mechanism.

If the tuning gauge touches one of the struts, loosen the wing nut on the bottom of the tuning gauge and adjust the gauge so that it has some room on both sides.

Subsequently, adjust the scale lettering, if necessary using an electronic tuner.

# F

## THE HEAD SQUEAKS

Sometimes the head squeaks on the sides when the pedal is depressed. This can be easily solved by considerably warming up the head with a hair-dryer, but only the head in contact with the counter hoop. (This does not apply to calfskin heads.) After the head has cooled down, tension in accordance with **B**.

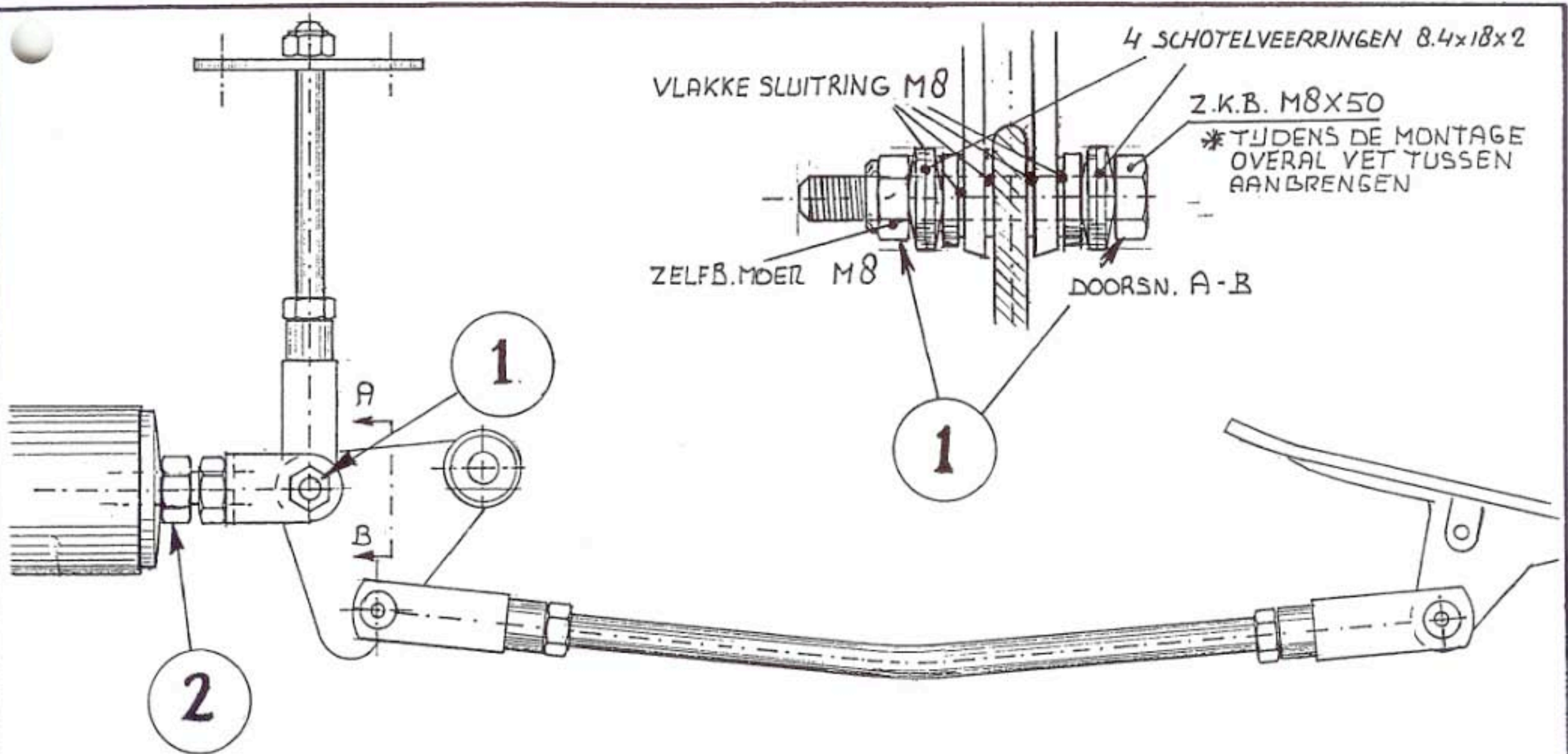
# G

## CALFSKIN HEADS

The above-mentioned items **A** and **B** also apply to timpani with "**Irish calfskin heads**". Tensioning of calfskin heads is and remains much more critical than tensioning of synthetic heads, as calfskin heads are more sensitive to temperature and humidity.

We always exercise the utmost care with our instruments. Should you, nevertheless, have questions or comments, do not hesitate to contact our technical department.

MAJESTIC HOLLAND B.V.  
COMMUNICATIELAAN 6-8  
8466 SR NIJEHASKE  
T +31 513 468030  
F +31 513 468031  
E [INFO@MAJESTIC-PERCUSSION.COM](mailto:INFO@MAJESTIC-PERCUSSION.COM)  
WWW.MAJESTIC-PERCUSSION.COM



MAJESTIC PAUKEN. ALGEMEEN ONDERHOUD		tek.nr. 186A
		schaal —
		mat.
		datum 21-10-1993
		gew.
get. T. REITSMA. HEERENVEEN.		